

4

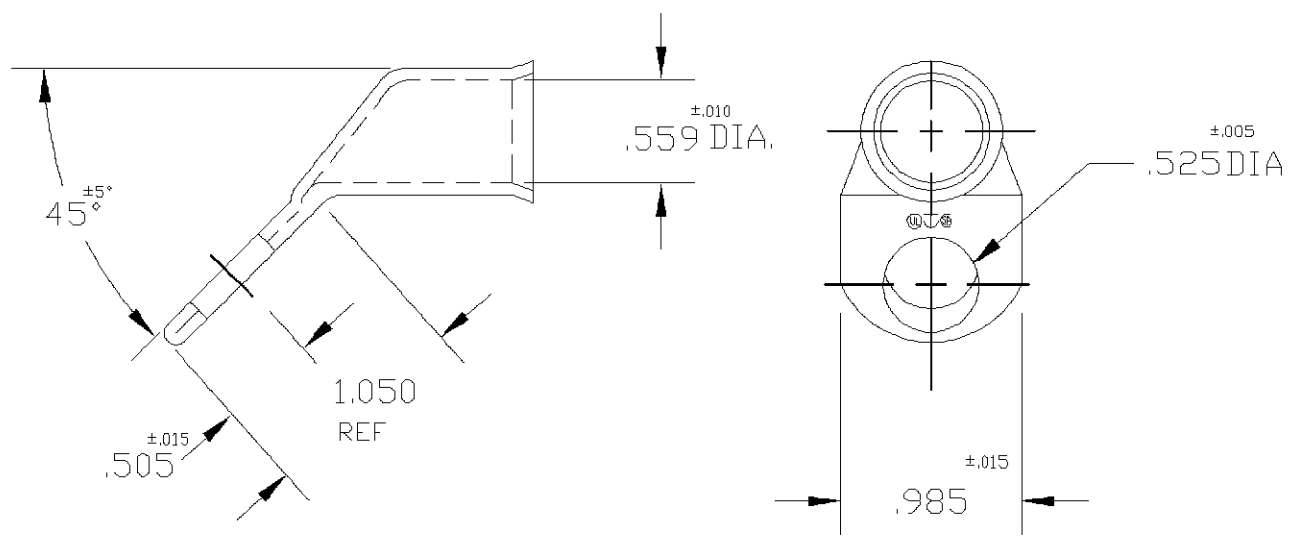
3

2

1

THIS DRAWING IS UNPUBLISHED. RELEASED FOR PUBLICATION
 © COPYRIGHT BY TYCO ELECTRONICS CORPORATION. ALL RIGHTS RESERVED.

LOC	DIST	REVISIONS					
		P	LTR	DESCRIPTION	DATE	DWN	APVD
G	50	-	-		-	-	-



ACTIVE	40501-09-45	STANDARD	TIN PLATE	1526854-2
ACTIVE	40501-08-45	STANDARD	PLAIN	1526854-1
STATUS	AET P/N	PACKAGING	FINISH	PART NUMBER

THIS DRAWING IS A CONTROLLED DOCUMENT.		DWN D.A.A. 11/3/00	tyco Tyco Electronics Corporation	
DIMENSIONS: INCHES		CHK H.D.F. 11/3/00	Electronics Harrisburg, PA 17105-3608	
TOLERANCES UNLESS OTHERWISE SPECIFIED:		APVD H.D.F. 11/3/00	NAME 4/0A STANDARD TERMINAL WITH 45° BEND	
0 PLC ± -		PRODUCT SPEC	-	
1 PLC ± -		APPLICATION SPEC	-	
2 PLC ± -		WEIGHT	-	
3 PLC ± -		SIZE CAGE CODE DRAWING NO RESTRICTED TO		
4 PLC ± -		A3 00779 C-1526854 -		
ANGLES ± -		SCALE 1:1 SHEET 1 OF 1 REV 0		
MATERIAL COPPER ASTM B-152		CUSTOMER DRAWING		